

Vertilusion™



Installation Instructions: Sheer Vertical Shadings



The Basics

A few simple tools are required:

- Pencil
- Measuring Tape
- Carpenter's Level
- Power Drill and/or Phillips Head Screwdriver
- 1/16" Drill Bit

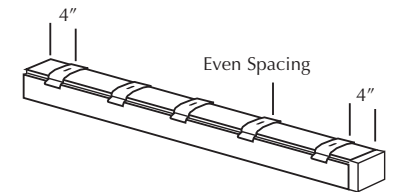
Additional fasteners other than those sent with your shading may be required depending on the mounting surface. Wallboard and plaster require the use of anchors such as expansion or toggle bolts. Brick, tile, or stone need special plugs and drill bits. Remember to always predrill holes in wood to avoid splitting.

Step One: Track Installation

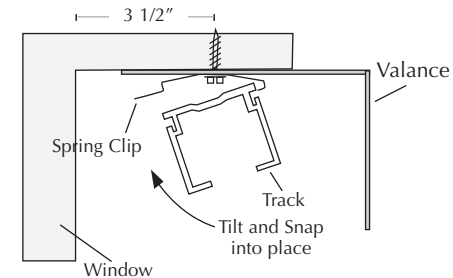
Vertilusion™ shadings are constructed to be hung as either an inside mount or an outside mount. The installation hardware can be mounted inside the window opening, for an inside mount, or on the molding or wall above the window for an outside mount. When mounting installation brackets, make sure they are in line and level. Shim the brackets if necessary to achieve a level alignment.

Inside (Ceiling) Mount

When mounting sheer vertical blinds, the end spring clips should be spaced 4" in from the end of the track, with any additional spring clips spaced evenly between the end clips.

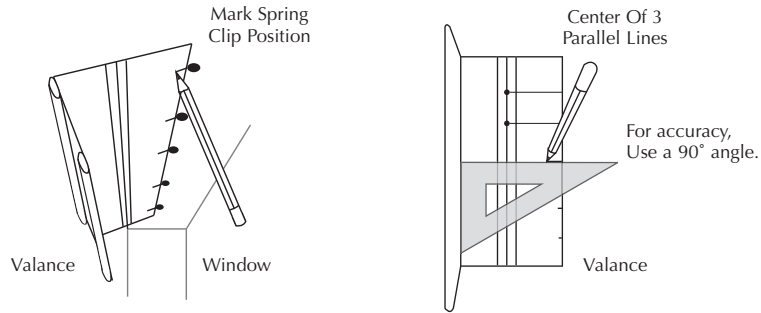


There must be a 3 1/2" minimum space between the hole in the spring clip and the window, or any other obstructions such as window handles, locks, etc. This space allowance is necessary for the vanes to rotate properly.



When using a valance, the window opening must have a depth of 5" to achieve a flush mount. Hold the valance in the window frame so that the front of the valance is aligned with the window opening. Position spring clips 4" in from the edge of the window frame on either side, marking the spring clip positions onto the valance. Drill holes through the top of the valance (dustcap) at the points where the spring clip positions meet the center parallel groove. Secure spring

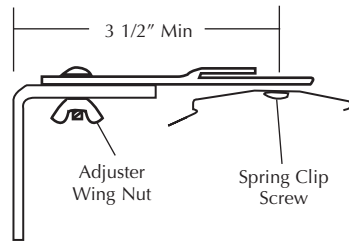
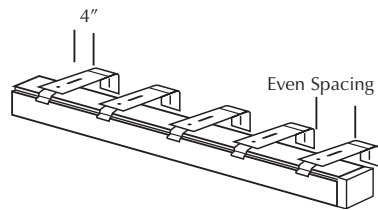
clips and valance to the top of the window frame with the screws provided. If necessary, track may be removed later by pushing up on the release tab at the back of the spring clips.



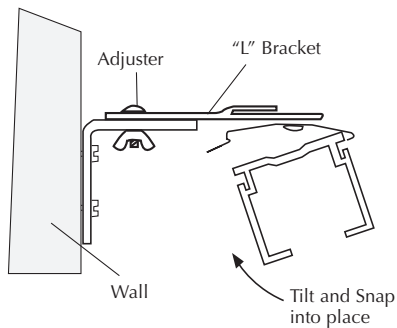
Outside (Wall) Mount

Measure up from the floor using the blind length plus 1/2" for floor clearance. The end L bracket should be spaced 4" in from the end of the track, with any additional brackets spaced evenly between the end brackets.

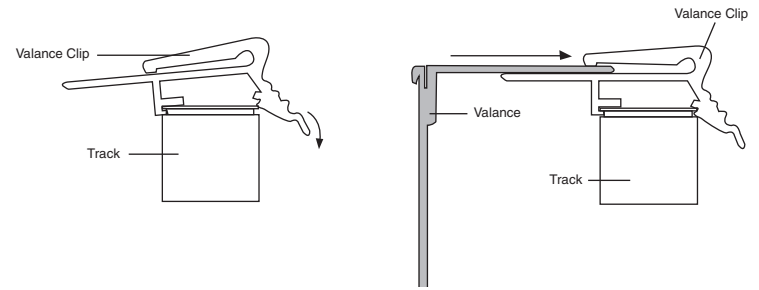
Before mounting L brackets, slide the bracket adjusters so that the distance from the back of each bracket to the spring clip screw meets or exceeds 3 1/2". There must be a 3 1/2" minimum space between the hole in the spring clip and the back of the L bracket; this space allowance is necessary for the vanes to rotate properly. Adjust all L-shaped mounting brackets to the position chosen.



After all adjustments are made, mount the L brackets in place. Be sure that L brackets are mounted in-line and level. Center track underneath spring clips, tilt, and snap into place.

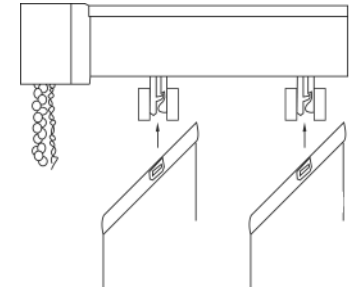


If a valance is used with an outside mount, attach the provided valance clips to the track. Secure the valance in place by sliding the upper portion (dust cap) into the valance clips. Be sure to center valance over track.



Step Two: Installing the Vanes

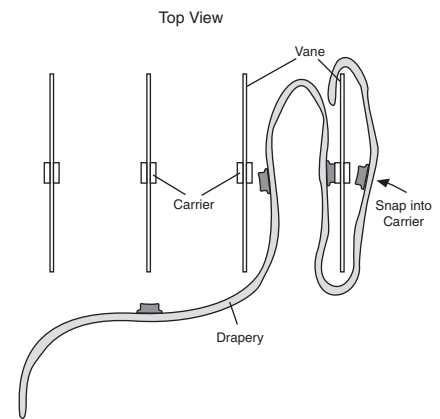
Vertilusion™ vanes are hung by pushing each vane upward to lock in place between the fingers of the corresponding carrier.



Rotate the chain so that the carriers are in the open position. Install vanes as shown, pushing gently between the fingers of the carriers.

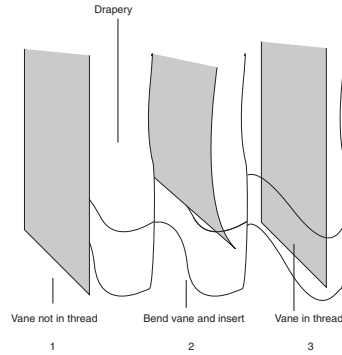
Step Three: Installing the Drapery Panel

Place folded drapery panel over your shoulder. Beginning on the track control side of the Vertilusion™, snap the first and second drapery snaps into the first carrier on the track. Repeat this process for the entire drapery panel, moving toward the center of the shading. Note: If installing a split-stacking model, repeat process, beginning again on the opposite side and moving toward the center of the shading.



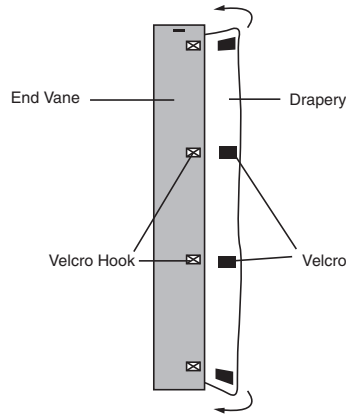
Step Four: Concealing the Vanes

Once drapery panels have been attached to carriers, PVC vanes should be inserted into the retaining thread at the bottom of each drapery panel. To insert, simply bend each PVC vane slightly and place into fold created by retaining thread.



Step Five: Attaching the Velcro

Velcro must be attached to the last PVC vane on either end of each drapery panel. Beginning at the top of the end vane, remove "hook" side of velcro tape from the drapery panel and affix it to the backside of the vane. Next, re-mate the velcro "loop" (still affixed to drapery panel) with the velcro "hook" (now affixed to end PVC vane). Your drapery flap should now be attached, via velcro, to the center of the backside of the end vane.



Moving down the end vane, repeat the process until you have attached all velcro. DO NOT pull fabric tight! Fabric should retain its natural fall – the velcro is simply to keep the fabric wrapped in an aesthetically pleasing manner around the end vanes of the drapery panel(s). Begin the process over again for each drapery panel until you have attached all velcro to end vanes (remember, velcro included for one-way draw models will attach to a total of two vanes, while velcro included for split-stacking models will attach to a total of four vanes).

Step Six: "Dressing" the Drapery

After drapery is installed to track and velcro is in place, check fabric for wrinkling. (Light wrinkling is normal). Vertilusion™ is produced with polyester fabrics and most wrinkles will "hang out". Stubborn wrinkles or creases can be steamed out using a small valet steamer or any commercial-type steamer. To steam, pull fabric away from PVC vanes and then apply steam.

For the final "dressing down" of drapery panels, traverse the Vertilusion™ open and simply pinch tops of panels between your forefinger and thumb at each fold to form uniform creases along the tape at the top of each panel.

Step Seven: Operating the Track

Pull on the tilt chain to rotate the vanes. Always rotate PVC vanes to open position before traversing open or closed. Pull the draw cord to traverse the vanes. Draw cord slowly and smoothly to allow vanes to come to rest quickly and to ensure that they remain in the correct overlap position.

Step Eight: Care and Cleaning

Simply follow these instructions for proper cleaning and care:

- 1) Remove the shading carefully by detaching the PVC vanes from the track system. All PVC vanes should be reattached, without fabric, to maintain privacy.
- 2) Sheer fabrics may be dry cleaned or handwashed. To handwash, place the fabric in a bathtub and rinse with mild detergent. Remove excess water.
- 3) Reattach the fabric to the PVC vanes and allow to hang dry. Do not machine dry sheer fabric – machine drying may cause permanent wrinkling or puckering.
- 4) To remove any wrinkles, use a steamer. Do not use a hot iron.

Model Options: Swag/Jabot Combination Valances

(Please reference drawings on reverse side for the following instructions.)

To install a swag/jabot valance, first make sure drapery panels have been properly installed to track, and then apply valance clips to the track 5" from either end and equally spaced in the center. The valance dust cap slides into the valance clips; press firmly. The swag(s) and jabots attach to the top of the dust cap using small metal rings sewn into the top of each swag or jabot.