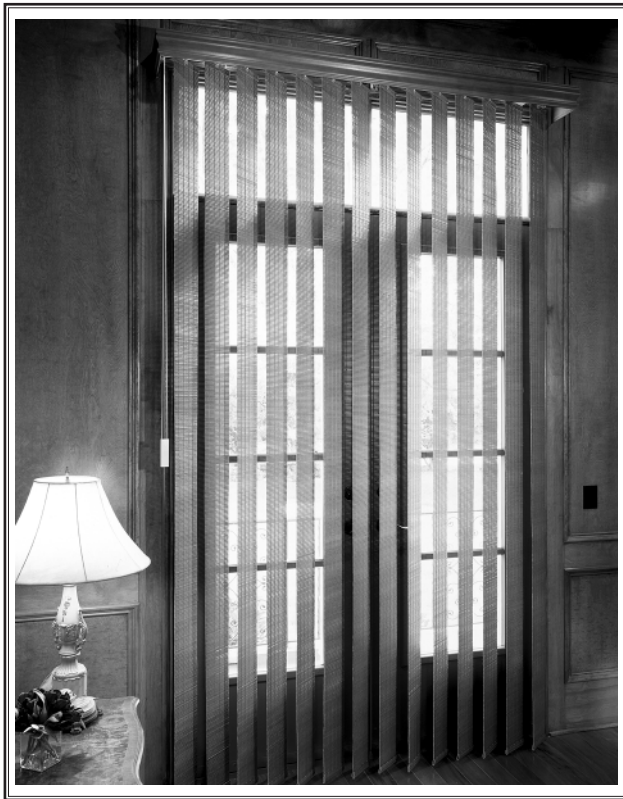


# Santa Fe!™



## Installation Instructions: Santa Fe!™ Woven Wood Verticals

### The Basics

A few simple tools are required:

- Pencil
- Measuring Tape
- Carpenter's Level
- Power Drill and/or Phillips Head Screwdriver
- 1/16" Drill Bit

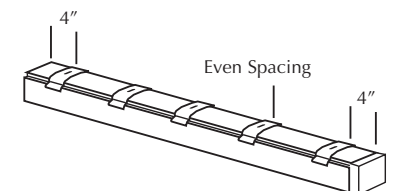
Additional fasteners other than those sent with your shading may be required depending on the mounting surface. Wallboard and plaster require the use of anchors such as expansion or toggle bolts. Brick, tile, or stone need special plugs and drill bits. Remember to always predrill holes in wood to avoid splitting.

### Step One: Track Installation

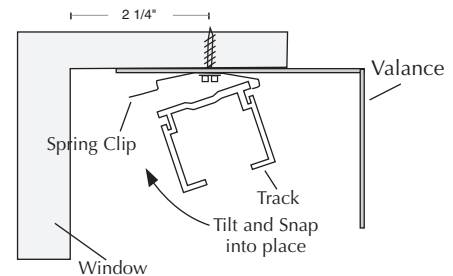
Woven wood vertical blinds are constructed to be hung as either an inside mount or an outside mount. The installation brackets can be mounted inside the window opening, for an inside mount, or on the molding or wall above the window for an outside mount. When mounting installation brackets, make sure they are in line and level. Shim the brackets if necessary to achieve a level alignment.

#### Inside (Ceiling) Mount

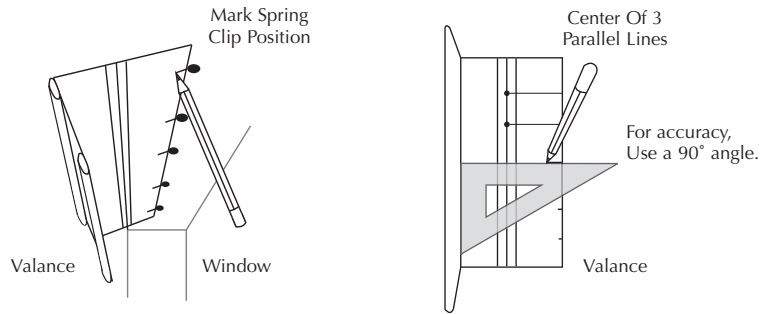
Position the spring clips with the end clips 4" in from either end of track and other clips spaced equally between the end clips.



Measure and mark the spring clip positions on the window frame in order to pre-drill holes for mounting the track, always allowing 2 1/4" minimum between screw and window so that the vanes will traverse freely once installed.



When using a valance, hold the valance up to the window opening and mark the corresponding spring clip positions onto the valance. Drill holes in valance where spring clip positions meet with the center of the three parallel lines on valance.

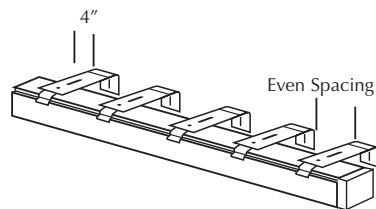


Hold valance and spring clips in position against the ceiling/recess, and attach with screws at the spring clip mounting positions. Center track, tilt and snap into place.

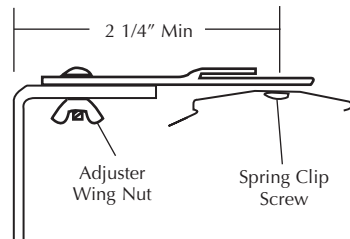
Track may be removed by pushing up on the tab at the back of the spring clips.

#### Outside (Wall) Mount

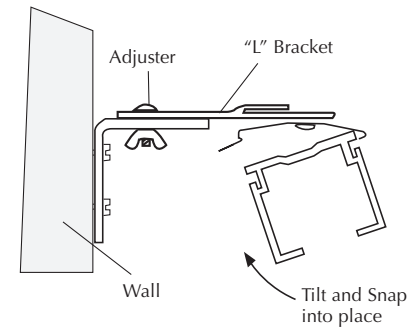
Measure up from the floor using the blind length plus 1/2" for floor clearance. The end L bracket should be spaced 4" in from the end of the track, with the other L brackets spaced evenly between the end brackets.



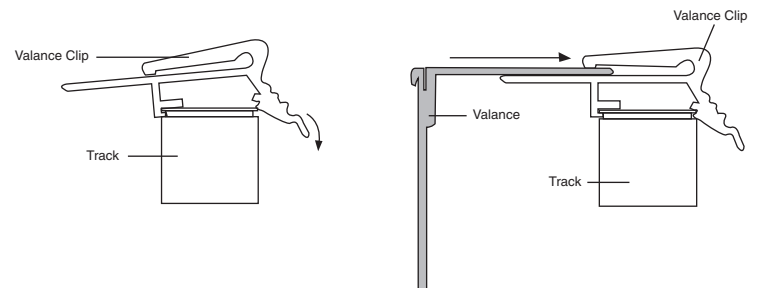
Before mounting L brackets, slide the bracket adjusters so that the distance from the back of each bracket to the spring clip screw meets or exceeds 2 1/4". Adjust all L-shaped mounting brackets to the position chosen.



After all adjustments are made, mount the L brackets in place. Be sure that L brackets are mounted in-line and level. Center track underneath spring clips, tilt, and snap into place.

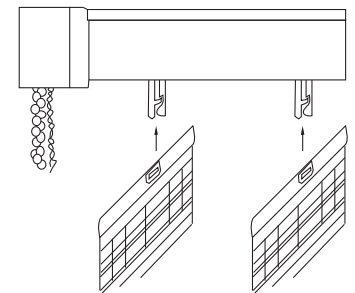


If a valance is used with an outside mount, attach the valance clips to the track before snapping track into place. Secure the valance by sliding the upper portion (also known as the valance "dust cap") into the valance clips. Then center track underneath spring clips, tilt, and snap into place.



#### Step Two: Installing the Vanes

Santa Fe!™ woven wood vertical vanes are hung by pushing each vane upward to lock in place between the fingers of the corresponding carrier.



**Step Three: Operating the Track**

Always rotate woven wood vanes to open position before traversing open or closed. Draw cord slowly and smoothly to allow vanes to come to rest quickly and to ensure that they remain in the correct overlap position.

**Step Four: Care and Cleaning**

If not damaged or exposed to high levels of direct sunlight, you may expect years of enjoyment from your woven wood verticals with minimal care. Periodic rotating and traversing of vertical vanes helps prevent dust accumulation. If additional cleaning is desired, woven wood verticals can be lightly brushed or carefully vacuumed with a brush attachment.

